



*we*innovate cooking

KITCHENS DIAMANTE 90

LAVA ROCK GRILLS

Model

D94/10PLG

Code

CR0996659

General characteristics

- Stainless steel outer coatings and feet.
- Worktops made of 2 mm thick, brushed AISI 304 stainless steel.
- Adjustable worktop height from 840 to 900 mm.
- Contoured control panels with controls tilted towards the operator.
- Large knobs that do not protrude from the machine structure.
- Range modularity: 200-400-600-800-1200.
- Simple and effective coupling system.
- Appliances set up for the plinth.
- Vast accessory range.
- Appliances in compliance with CE standards.

LAVA ROCK GRILL



Technical/functional characteristics

- Panelling and feet in 18/10 stainless steel.
- Working-height adjustable from 840 to 900 mm.
- Top with thickness 2mm
- AISI type 304 stainless steel burner controlled by a safety valve with thermocouple.
- Piezo ignition.
- Temperature adjustable up to 350°C.
- Device to adjust cooking grid height (two positions).
- Side and back splashguards (max. h = 12 mm).
- Grease trough with drain hole and fully removable grease and food residue drawer.
- Internal drawer to collect charcoal residue.

Technical Data

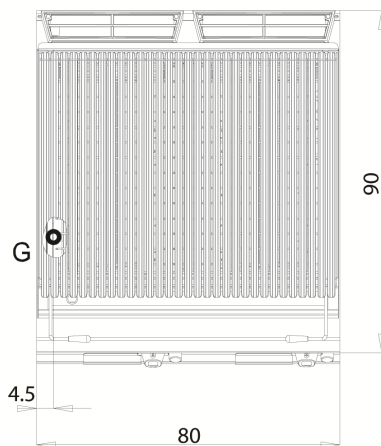
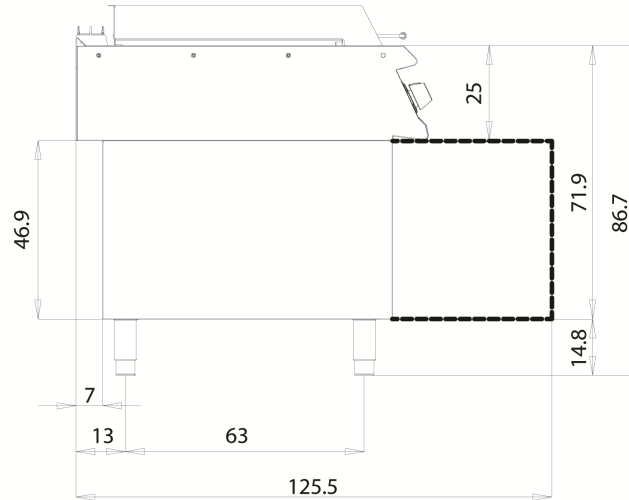
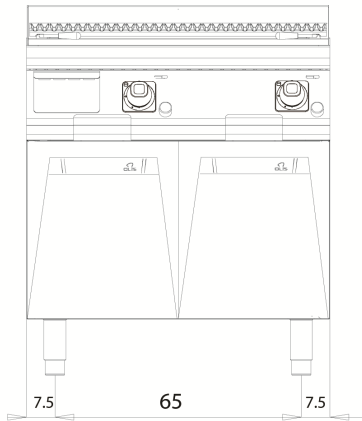
Model	D94/10PLG
Width (mm)	800,00
Depth (mm)	900,00
Height (mm)	840,00
VOLUME	672.900,00
WEIGHT	160,00
SUPPLY	
Gas power	25
Electric power	
Internal ovens dimension	
OVEN CAPACITY	
Plate dimensions (mm)	
TANK DIMENSIONS	
Tank capacity (l)	

LAVA ROCK GRILLS

Model
D94/10PLG

Code
CR0996659

D94/10 PLG



KEY

- E power supply
- G gas connection
- H2O water inlet
- S water outlet

Connection	Power	Diameter	Supply
Gas connecton	25	1/2"	
Electric connecton			
Cold water connecton			
Hot water connecton			
Cold soft water connecton			
Drain (∅)			
2° Drain (∅)			