

## GAS BAIN-MARIE ON CABINET

CODICE  
CR0990329

MODELLO  
D74/10CBG

SERIE  
DIAMANTE 70



### GENERAL CHARACTERISTICS

In addition to offering the widest choice of solutions and 2 mm thick and 70 cm deep tops, this series has all the power, robustness and functionality you need to work efficiently. Scotch Brite finish stainless steel outer shells and feet. Worktop height adjustable from 840 to 900 mm. Modularity of range: 200-400-600-800-1200. Wide range of accessories.

### TECHNICAL SPECIFICATIONS

- Temperature adjustable from 30 to 90 °c by thermostat.
- Tub equipped with an overflow level.
- Perforated false bottom for supporting containers.
- Height of the work surface adjustable from 840 to 900 mm.
- Stainless steel outer shells and feet.

- Adjustable temperature in tank with overflow and perforated false bottom for supporting containers. GN-sized tank.
- Thanks to the jet-proofing certification obtained in specific tests, the knobs and under-knobs can be washed, without compromising functionality and safety.

CODICE  
 CR0990329

 MODELLO  
 D74/10CBG

 SERIE  
 DIAMANTE 70

### Technical Information

SPECIFICATION	DATA
<b>MATERIAL</b>	<b>CR0990329</b>
DEFINITION	D74/10 CBG BAGNOMARIA GAS M80 VANO G.
<b>COMMERCIAL LINE</b>	<b>DIAMANTE</b>
SUPPLY	GAS
<b>DIM. WIDTH</b>	<b>800 mm</b>
DIM. PRODUCTIVITY	730 mm
<b>DIM. HEIGHT</b>	<b>870 mm</b>
NET WEIGHT	56.6 Kg
<b>VOLUME (net)</b>	<b>0.508</b>
PACKAGE LENGTH	850 mm
<b>PACKAGE WIDTH</b>	<b>850 mm</b>
PACKAGING HEIGHT	1150 mm
<b>PACKAGE VOLUME</b>	<b>0,831 m3</b>
GROSS PACKING WEIGHT	66.6 Kg
<b>GAS POWER</b>	<b>6</b>
GAS POWER (G25.3/25mbar)	5,50
<b>CERTIFIED MODEL</b>	<b>D74/10 CBG</b>

CODICE  
CR0990329

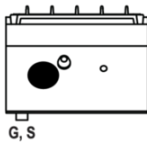
MODELLO  
D74/10CBG

SERIE  
DIAMANTE 70

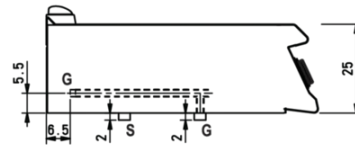
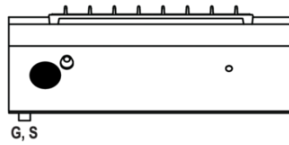
**SCHEMA DI INSTALLAZIONE - INSTALLATION DIAGRAM - INSTALLATIONSPLAN - SCHÉMA D'INSTALLATION - ESQUEMA DE INSTALACION - INSTALLATIESHEMA - IINSTALLATIONSRTNINGAR**

MISURE IN cm - DIMENSIONS IN cm - ABMESSUNGEN IN cm  
MESURES EN cm - MEDIDAS EN cm - MATEN IN cm

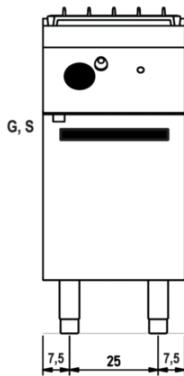
(D) 72/10 TCBG



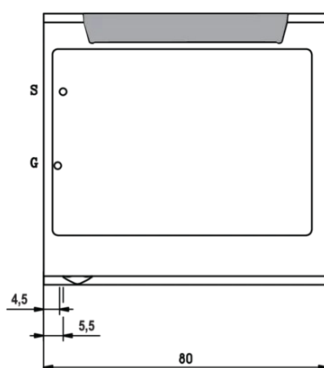
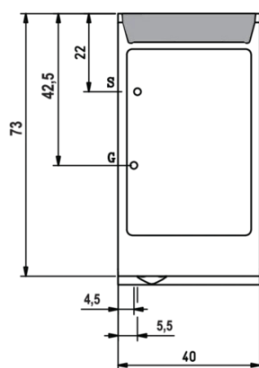
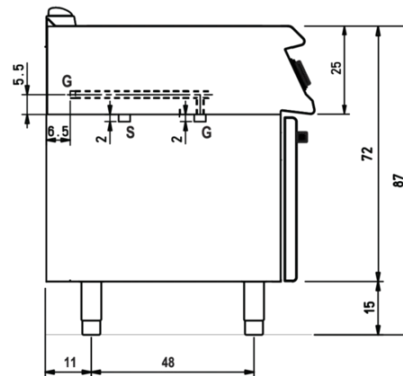
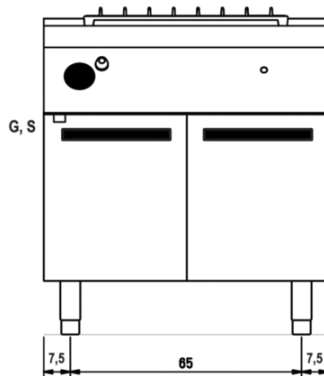
(D) 74/10 TCBG



(D) 72/10 CBG



(D) 74/10 CBG



**Legenda - Legende - Key - Légende - Leyenda - Legenda**

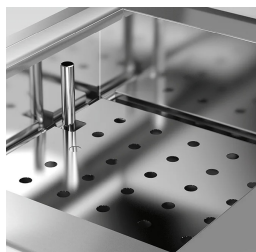
- G** Attacco arrivo gas - Gasanschluss - Gas connection  
Arrivée gaz - Union de gaz - Gasaansluiting  
**EN 10226-1 R 1/2 ; EN ISO 228-1 G 1/2 (DK)**
- S** Attacco scarico acqua - Wasserablauf - Water outlet  
Vidange de l'eau - Desaguadero - Wateraftapaansluiting  
**EN 10226-1 R 1/2**

## GAS BAIN-MARIE ON CABINET

CODICE  
CR0990329

MODELLO  
D74/10CBG

SERIE  
DIAMANTE 70



Adjustable temperature in tank with overflow and perforated false bottom for supporting containers. GN-sized tank.



Thanks to the jet-proofing certification (IPX5) obtained through specific tests, knobs and under-knobs can be washed, without compromising functionality and safety.