

# INDIRECT GAS BOILING PAN 50lt - WITH AUTOMATIC CONDENSATE DRAIN VALVE

CODICE  
CR1355989

MODELLO  
D93/10PGI05S

SERIE  
DIAMANTE 90



## GENERAL CHARACTERISTICS

In addition to offering the maximum choice of solutions and 2 mm thick and 90 cm deep tops, this series has all the power, robustness and functionality you need to work efficiently. External coatings and feet in stainless steel with Scotch Brite finish. Working table height adjustable from 840 to 900 mm. Range modularity: 200-400-600-800-1200 Wide range of accessories.

## TECHNICAL SPECIFICATIONS

■ AISI 304 stainless steel tanks with AISI 316 bottom. ■ Water loading by means of 2 solenoid valves, with the possibility of loading cold or hot water. ■ Frontal drain by means of 2" chrome-plated brass faucet. ■ Gas version: heating by means of 2 AISI 304 steel burners, positioned at the bottom of the vessel (direct heating) or in the cavity (indirect heating). ■ Indirect electric version: heating with 2 sets of armoured heating elements positioned inside the cavity. ■ Direct electric version: heating by means of 3 stainless steel heating elements positioned externally on the bottom of the container.

■ Possibility of hot or cold water loading ■ Stainless steel tank with aisi 316 bottom ■ Indirect pans with automatic condensate drain valve ■ Equipment certified for low voltage directive 2014/35/EU according to the international CB scheme. ■ Thanks to the jet-proofing certification (IPX5) obtained through specific tests, knobs and under-knobs can be washed, without compromising functionality and safety.

# INDIRECT GAS BOILING PAN 50lt - WITH AUTOMATIC CONDENSATE DRAIN VALVE

CODICE  
CR1355989

MODELLO  
D93/10PGI05S

SERIE  
DIAMANTE 90

## Technical Information

SPECIFICATION	DATA
<b>MATERIAL</b>	<b>CR1355989</b>
DEFINITION	D93/10 PGI05 S PEN.GAS IND.M60 C/VAL 50L
<b>COMMERCIAL LINE</b>	<b>DIAMANTE</b>
SUPPLY	MIXED
<b>DIM. WIDTH</b>	<b>600 mm</b>
DIM. PRODUCTIVITY	900 mm
<b>DIM. HEIGHT</b>	<b>870 mm</b>
NET WEIGHT	66.6 Kg
<b>VOLUME (net)</b>	<b>0.47</b>
PACKAGE LENGTH	660 mm
<b>PACKAGE WIDTH</b>	<b>1020 mm</b>
PACKAGING HEIGHT	1150 mm
<b>PACKAGE VOLUME</b>	<b>0,774 m3</b>
GROSS PACKING WEIGHT	79 Kg
<b>STANDARD POWER SUPPLY</b>	<b>220-240V 1N</b>
FREQUENCY	50 Hz
<b>ELECTRICAL POWER</b>	<b>0.275 kW</b>
GAS POWER	10.5
<b>GAS POWER (G25.3/25mbar)</b>	<b>10,00</b>
IP GRADE	IPX5
<b>CERTIFIED MODEL</b>	<b>D93/10 PGI05</b>
Capacity	50

# INDIRECT GAS BOILING PAN 50lt - WITH AUTOMATIC CONDENSATE DRAIN VALVE

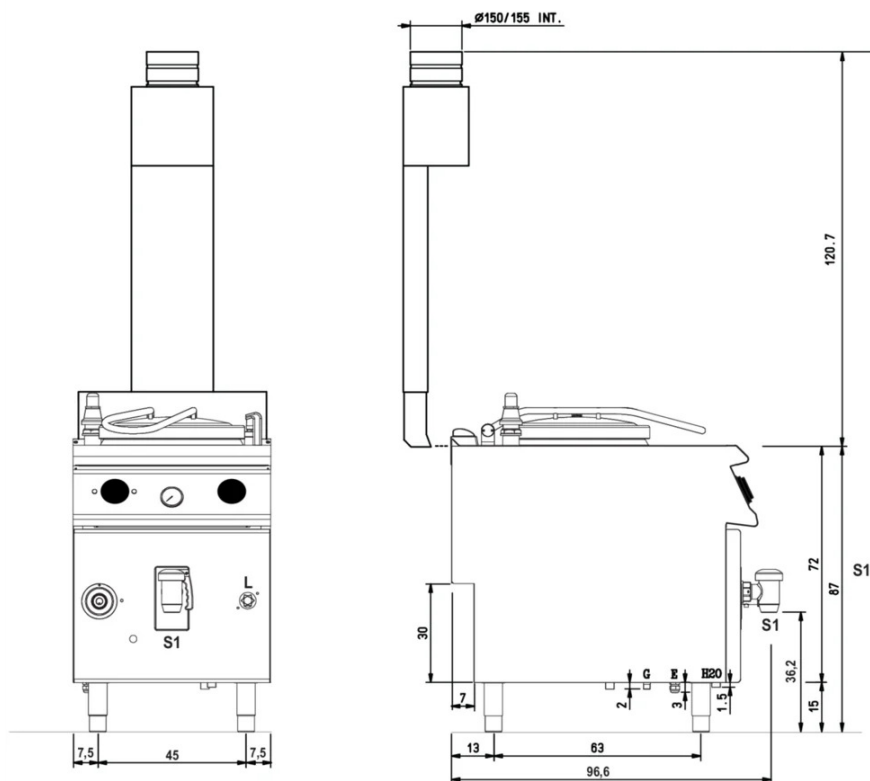
CODICE  
CR1355989

MODELLO  
D93/10PGI05S

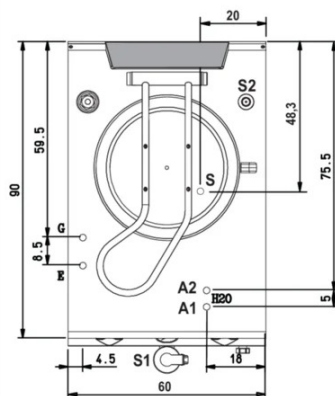
SERIE  
DIAMANTE 90

## SCHEMA DI INSTALLAZIONE - INSTALLATION DIAGRAM - INSTALLATIONSPLAN - SCHÉMA D'INSTALLATION - ESQUEMA DE INSTALACION -INSTALLATIESCHEMA - IINSTALLATIONSRTNINGAR

MISURE IN cm - DIMENSIONS IN cm - ABMESSUNGEN IN cm  
MESURES EN cm - MEDIDAS EN cm - MATEN IN cm



(D) 93/10 PGI05



Legenda - Legende - Key - Légende - Leyenda - Legenda

- H2O** Attacchi arrivo acqua - Wasseranschluss - Water inlet  
Arrivée eau - Union de agua - Wateraansluiting
- A1** = Calda - Heiss - Warm - Chaude - Caliente - Warm
- A2** = Fredda - Kalt - Cold - Froid - Fria - Koude
- EN ISO 228-1 G 3/4**
- E** Pressacavo entrata linea elettrica  
Stopfbuchse - Electric cable stress relief  
Presse étoupe de câble él. - Pisacable  
Elektrische kabelwartel
- G** Attacco arrivo gas - Gasanschluss - Gas connection -  
Arrivée gaz - Union de gas - Gasaansluiting
- EN 10226-1 R 1/2; EN ISO 228-1 G 1/2 (DK)**
- S** Scarico acqua intercapedine - Wasserablauf Zwischenraum  
Jacket water drain - Evacuation eau double enveloppe  
Descarga de agua intersticios - Afvoer water tussenruimte
- EN ISO 10226-1 R 3/4**
- S1** Scarico acqua - Wasserablauf - Water outlet  
Vidange de l'eau - Desaguadero  
Wateraftapaansluiting
- 1 1/2"**

# INDIRECT GAS BOILING PAN 50lt - WITH AUTOMATIC CONDENSATE DRAIN VALVE

CODICE  
CR1355989

MODELLO  
D93/10PGI05S

SERIE  
DIAMANTE 90



Possibility of hot or cold water loading



Thanks to the jet-proofing certification (IPX5) obtained through specific tests, knobs and under-knobs can be washed, without compromising functionality and safety.



Stainless steel tank with aisi 316 bottom



Indirect pans with automatic condensate drain valve

Equipment certified for low voltage directive 2014/35/EU according to the international CB scheme.



# INDIRECT GAS BOILING PAN 50lt - WITH AUTOMATIC CONDENSATE DRAIN VALVE

CODICE  
CR1355989

MODELLO  
D93/10PGI055

SERIE  
DIAMANTE 90

## ACCESSORIES

CODE	MODELLO	DESCRIZIONE
MA97347000	9C5	COLANDER BASKET
MA97348000	9CV5	VEGETABLE STRAINER BASKET FOR POT
MA97350900	9C10	COLANDER BASKET
MA97351000	9C15	COLANDER BASKET
MA97352000	9CV10	VEGETABLE STRAINER BASKET FOR POT
MA97353000	9CV15	VEGETABLE STRAINER BASKET FOR POT
MA97354000	9-I10	FUNNEL FOR POT DISCHARGE
MA97355000	9-I15	FUNNEL FOR POT DISCHARGE
MA97349000	9-I5	POWDER DISCHARGE INSTALLATION-50 Lt. HOLES Ø 10-15-36 MM