

# 80lt ELECTRIC MANUAL BRATT PAN WITH IRON BOTTOM (Extra EU)

CODICE  
CR0990749

MODELLO  
D94/10KBE

SERIE  
DIAMANTE 90



## GENERAL CHARACTERISTICS

In addition to offering the maximum choice of solutions and 2 mm thick and 90 cm deep tops, this series has all the power, robustness and functionality you need to work efficiently. External coatings and feet in stainless steel with Scotch Brite finish. Working table height adjustable from 840 to 900 mm. Range modularity: 200-400-600-800-1200 Wide range of accessories.

## TECHNICAL SPECIFICATIONS

■ Multifunctional tilting braising pan, equipment for professional catering, suitable for cooking sauces, braises and cooking with oil. ■ It guarantees high performance, exceptional firing uniformity. ■ Water feed directly into the tank via standard solenoid valve, controlled by a button on the front of the equipment ■ Cooking temperature controlled by thermostat with adjustment from 100 to 280°C.

■ IRON baking tray (available for non-EU markets) with 2 mm thickness. ■ Cooking temperature controlled by thermostat with

adjustment from 100 to 280°C. Heating via armoured incoloy heating elements. ■ Robust, double-walled, self-balancing lids made of stainless steel to reduce heat loss. ■ Large-radius tilting tank. ■ Equipment certified for low voltage directive 2014/35/EU according to the international CB scheme. ■ Thanks to the jet-proofing certification (IPX5) obtained through specific tests, knobs and under-knobs can be washed, without compromising functionality and safety.

# 80lt ELECTRIC MANUAL BRATT PAN WITH IRON BOTTOM (Extra EU)

CODICE  
CR0990749

MODELLO  
D94/10KBE

SERIE  
DIAMANTE 90

## Technical Information

SPECIFICATION	DATA
<b>MATERIAL</b>	<b>CR0990749</b>
DEFINITION	D94/10 KBE BRASIERA EL.M80 FE
<b>COMMERCIAL LINE</b>	<b>DIAMANTE</b>
SUPPLY	ELECTRICS
<b>DIM. WIDTH</b>	<b>800 mm</b>
DIM. PRODUCTIVITY	900 mm
<b>DIM. HEIGHT</b>	<b>870 mm</b>
NET WEIGHT	114.8 Kg
<b>VOLUME (net)</b>	<b>0.626</b>
PACKAGE LENGTH	860 mm
<b>PACKAGE WIDTH</b>	<b>1020 mm</b>
PACKAGING HEIGHT	1150 mm
<b>PACKAGE VOLUME</b>	<b>1,010 m3</b>
GROSS PACKING WEIGHT	130 Kg
<b>STANDARD POWER SUPPLY</b>	<b>380-415V 3N</b>
FREQUENCY	50-60 Hz
<b>ELECTRICAL POWER</b>	<b>9 kW</b>
IP GRADE	IPX5
<b>CERTIFIED MODEL</b>	<b>D94/10 KBE</b>

# 80lt ELECTRIC MANUAL BRATT PAN WITH IRON BOTTOM (Extra EU)

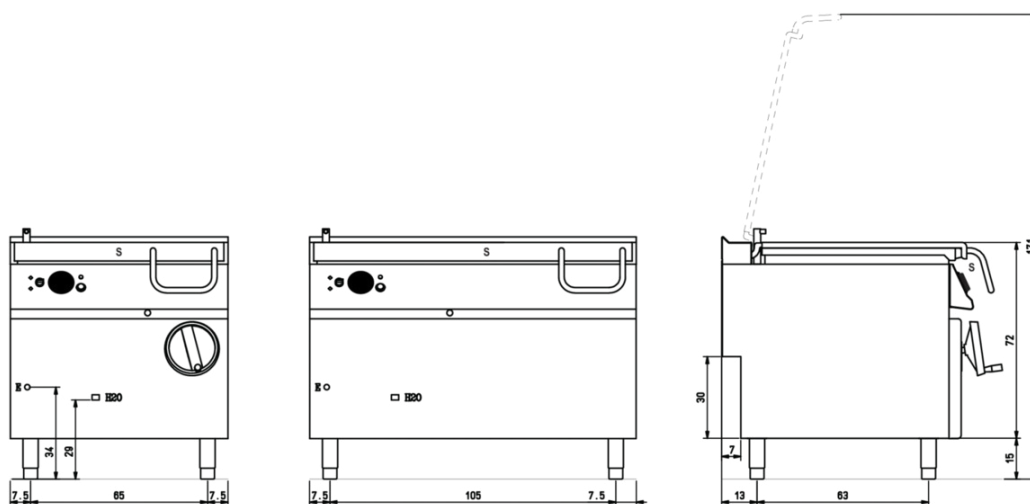
CODICE  
CR0990749

MODELLO  
D94/10KBE

SERIE  
DIAMANTE 90

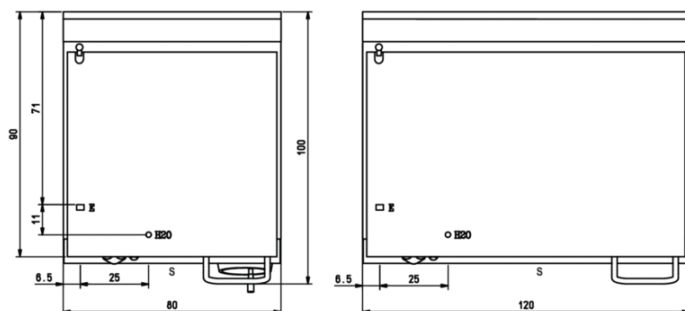
## SCHEMA DI INSTALLAZIONE - INSTALLATION DIAGRAM - INSTALLATIONSPLAN - SCHÉMA D'INSTALLATION - ESQUEMA DE INSTALACION -INSTALLATIESHEMA - IINSTALLATIONSRTNINGAR

MISURE IN cm - DIMENSIONS IN cm - ABMESSUNGEN IN cm  
MESURES EN cm - MEDIDAS EN cm - MATEN IN cm



(D) 94/10 KBE ...

(D) 96/10 KBE ...



Legenda - Legende - Key - Légende - Leyenda - Legenda

**H2O** Attacco arrivo acqua - Wasseranschluss - Water inlet  
Arrivée eau - Union de agua - Wateraansluiting

**EN ISO 228-1 G 3/4**

**E** Pressacavo entrata linea elettrica - Stopfbuchse - Electric cable stress relief  
Presse étoupe de câble él. - Pisacable - Elektrische kabelwartel

**S** Scarico vasca - Wannenabflussrohr - Pan outlet  
Vidange du bac - Descarga cuba - Water toevoer

# 80lt ELECTRIC MANUAL BRATT PAN WITH IRON BOTTOM (Extra EU)

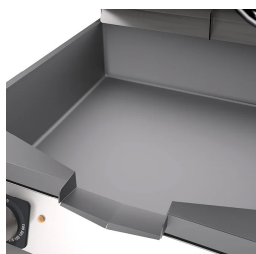
CODICE  
CR0990749

MODELLO  
D94/10KBE

SERIE  
DIAMANTE 90



Self-balancing lids.



Large-radius tilting tank.

Equipment certified for low voltage  
directive 2014/35/EU according to the  
international CB scheme.



Thanks to the jet-proofing certification  
(IPX5) obtained through specific tests,  
knobs and under-knobs can be washed,  
without compromising functionality  
and safety.