

FRY TOP S Electric M60 Brushed Chrome Plate - RIBBED - thermostat - on open cabinet

CODICE
CR1770629

MODELLO
D93/10SFTECSR

SERIE
DIAMANTE 90



GENERAL CHARACTERISTICS

In addition to offering the maximum choice of solutions and 2 mm thick and 90 cm deep tops, this series has all the power, robustness and functionality you need to work efficiently. External coatings and feet in stainless steel with Scotch Brite finish. Working table height adjustable from 840 to 900 mm. Range modularity: 200-400-600-800-1200 Wide range of accessories.

TECHNICAL SPECIFICATIONS

- 15 mm thick cooking plate totally independent of the hob .
- Large floodable channel around the perimeter of the hotplate for collecting cooking residues, sloping towards the front for draining liquids into the large drawer.
- Large grease collection drawer.
- Uniform baking temperature over the entire plate.
- Optimising heat in the cooking area and increasing the comfort of operators in the kitchen.
- Plate not welded to the machine bed with optimisation of structural points under thermal stress
- Stainless steel overflow plug, supplied as an accessory, for channel flooding management
- Plate not welded to the machine bed with optimisation of structural points under thermal stress
- New version with identical cooking surface area and reduced energy output.
- An increase in output per cm² allows a reduction in consumption of up to 15% compared to conventional versions

- Floodable gutter for collecting cooking residues around the perimeter of the cooking plate easier cleaning and better retention

- of moisture in cooking food
- Large fat collection drawer with capacity of the entire volume of the perimeter channel
- Grooved plate design ensures cleanliness right to the end of the plate
- Plate not welded to the machine bed with optimisation of structural points under thermal stress
- Plate not welded to the machine bed with optimisation of structural points under thermal stress
- Thermal cutting that facilitates the user and adjacent machinery.
- Uniform cooking temperature across the entire plate. Optimising heat in the cooking area and increasing operator comfort in the kitchen.
- Water dispenser kit available as an accessory
- Brushed Chrome Cooking Plate, the innovative chrome plating technology adopted combines the strength of steel plates with the anti-oxidant properties of chrome plates, resulting in a slightly rough surface that improves resistance to cuts and bumps. Metal tools can be used directly on the plate without risking damage.

FRY TOP S Electric M60 Brushed Chrome Plate - RIBBED - thermostat - on open cabinet

CODICE
CR1770629

MODELLO
D93/10SFTECSR

SERIE
DIAMANTE 90

Technical Information

SPECIFICATION	DATA
MATERIAL	CR1770629
COMMERCIAL LINE	DIAMANTE
SUPPLY	ELECTRICS
DIM. WIDTH	600 mm
DIM. PRODUCTIVITY	900 mm
DIM. HEIGHT	870 mm
NET WEIGHT	22 Kg
VOLUME (net)	0.47
PACKAGE LENGTH	640 mm
PACKAGE WIDTH	890 mm
PACKAGING HEIGHT	1230 mm
PACKAGE VOLUME	0,702 m3
GROSS PACKING WEIGHT	29 Kg
STANDARD POWER SUPPLY	380-415V 3N
FREQUENCY	50-60 Hz
ELECTRICAL POWER	7.5 kW
IP GRADE	IPX5

**FRY TOP S Electric M60 Brushed Chrome Plate -
RIBBED - thermostat - on open cabinet**



weinnovate cooking

CODICE
CR1770629

MODELLO
D93/10SFTECSR

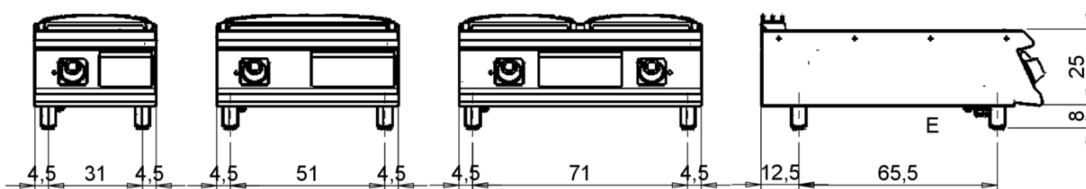
SERIE
DIAMANTE 90

MISURE IN cm - DIMENSIONS IN cm - ABMESSUNGEN IN cm- MESURES EN cm
MEDIDAS EN cm - MATEN IN cm - DIMENSIONES EN cm

D92/10STFTE..

D93/10STFTE..

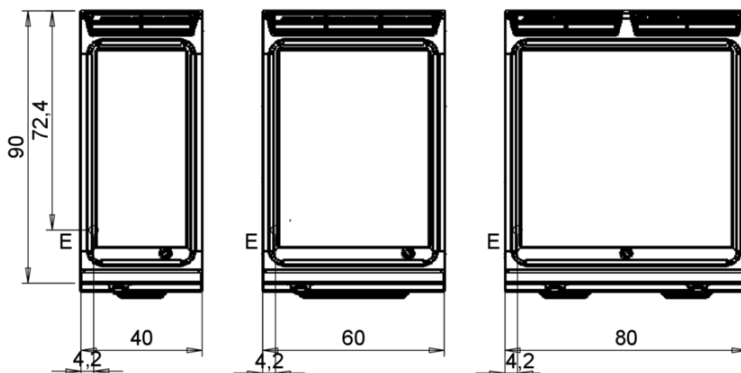
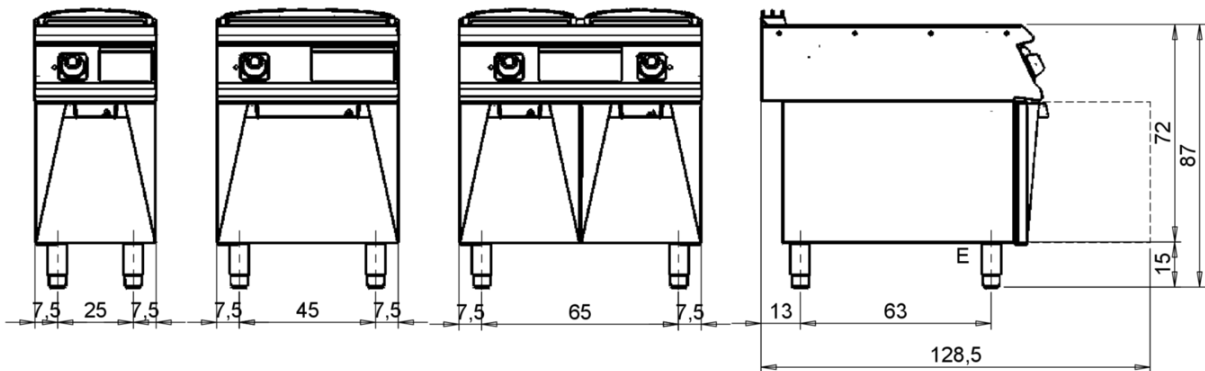
D94/10STFTE..



D92/10SFTE..

D93/10SFTE..

D94/10SFTE..



Legenda - Legende - Key - Légende - Leyenda - Legenda - Legenda

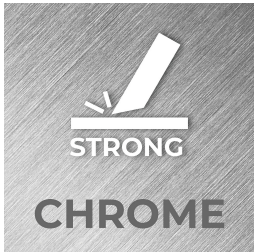
E Pressacavo entrata linea elettrica - Stopfbuchse - Electric cable stress relief - Presse étoupe de câble él - Pisacable - Elektrische kabelwartel - Entrada cabo eléctrico	G Arrivo gas - Gasanschluss - Gas connection - Arrivée gaz - Union de gas - Gasaansluiting - Ligação gás
S Attacco scarico acqua - Wasserablauf - Water outlet - Vidange de l'eau - Desaguadero - Wateraftapaansluiting - Junção descarga água	H20 Arrivo acqua - Wasseranschluss - Water inlet - Arrivée eau - Union de agua - Wateraansluiting - Junção alimentação água
S1 Scarico vasca - Wannenabflussrohr - Pan outlet - Vidange du bac - Descarga cuba - Water toevoer - Descarga da cuba	A1 = Calda - Heiss - Warm - Chaud - Caliente - Warm - Morno A2 = Fredda - Kalt - Cold - Froid - Fria - Koude - Frio
S2 Valvola di depressione - Anti-depression valve - Unterdruck ventil - Soupape de dépression - Válvula de depésión - Onderdrukklep - Válvula de depressão	
S3 Scarico acqua intercapedine - Wasserablauf Zwischenraum - Jacket water drain Evacuation eau double envelope - Descarga de agua intersticios - Afvoer water tussenruimte - Descarga de água na marmita com Sistema de aquecimento indirecto	
S4 Scarico - Abflussrohr - Drain - Tuyau d'évacuation - Tubo de drenaje - Aftapbuis - Tubulação de dreno	L Rubinetto di livello - Level tap - Wasserhahn - Robinet de niveau - Grifo de nivel - Niveaakraan - Torneira de nível

**FRY TOP S Electric M60 Brushed Chrome Plate -
RIBBED - thermostat - on open cabinet**

CODICE
CR1770629

MODELLO
D93/10SFTECSR

SERIE
DIAMANTE 90



Brushed chrome plate surface designed to resist scratches and facilitate daily cleaning. complies with Regulation (EC) No. 1935/2004

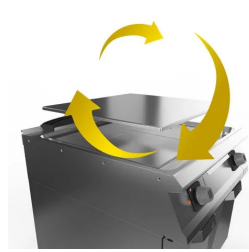


Plate not welded to the machine bed with optimisation of structural points under thermal stress



Floodable gutter for collecting cooking residues around the perimeter of the cooking plate easier cleaning and better retention of moisture in cooking food

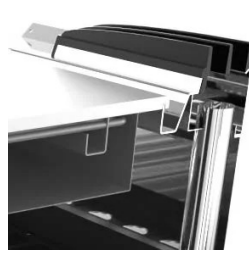
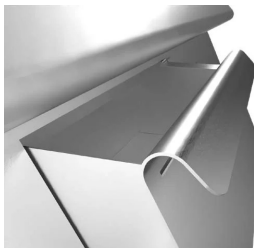
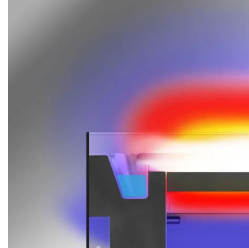


Plate not welded to the machine bed with optimisation of structural points under thermal stress



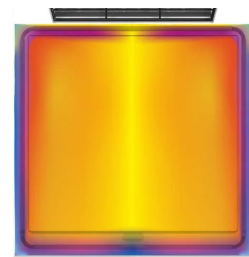
Large fat collection drawer with capacity of the entire volume of the perimeter channel



Thermal cutting that facilitates the user and adjacent machinery.



Grooved plate design ensures cleanliness right to the end of the plate



Uniform cooking temperature across the entire plate. Optimising heat in the cooking area and increasing operator comfort in the kitchen.

FRY TOP S Electric M60 Brushed Chrome Plate - RIBBED - thermostat - on open cabinet

CODICE
CR1770629

MODELLO
D93/10SFTECSR

SERIE
DIAMANTE 90

ACCESSORIES

CODE	MODELLO	DESCRIZIONE
CR1354989	PRPC	Smooth plate cleaning scraper - chrome-plated
CR1356399	RPR	Striped chrome plate scraper
CR1658629	D97CPFT68	Fry top cleaning drawer M60 - M80
CR1658609	97TFT	Plancha cleaning cap
CR1354999	PKLR	Replacement blades (10PCS)
CR1658679	9AFT6	SPLASH GUARD FOR FRY TOP MODULE 600
CR1659239	PAFT6	SUPER FRY TOP ACCESSORY HOLDER M60
CR1659379	AKBFT-3	KIT 1 BASIN GN1/3 H65 MM
CR1659369	AKBFT-2	KIT 2 BOWLS GN1/6 H65 MM
CR1659359	AKBFT-1	KIT 3 BOWLS GN1/9 H65 MM
CR1659259	AGMFT48	HOLDING GRID FOR FRY TOP
CR1659269	AGMFT6	HOLDING GRID FOR FRY TOP
CR1658709	D7968CAFT	WATER LOADING FOR FRY TOP M60 M80 - D70 D90 - GAS OR ELECTRIC
CR1658789	D96EKSCFT	CONTINUOUS DISCHARGE FOR FRY TOP M60 - D90 - ELECTRIC
CR1658819	D96ECSCFT	LOAD + SCAR.CONTINUOUS FOR FRY TOP M60 - D90 - ELECTRIC