

# FRY TOP S Electric M60 Chrome Plate - Smooth - On thermostat compartment

CODICE  
CR1652349T

MODELLO  
DT93/10SFTEC

SERIE  
DIAMANTE 90 TOUCH



## GENERAL CHARACTERISTICS

Diamond 90 Touch - Everything under control Everything is under control, perfect results every time. Thanks to the practical display, parameter selection is quick and precise. Easy and clear temperature management, and special functions are always visible and accessible from the display. Tradition and innovation, everything on your worktop A new non-slip square and rounded knob design for a more ergonomic grip and an embossed indicator that makes it easier to select the datum to be set. And with the exclusive Encoder Functionality, simply touch the parameter you want, turn the knob to adjust the level and press it to start the set datum. With water- and dirt-proof crown. Quick and precise parameter selection. Easy and clear temperature management. Special functions always visible and accessible from the display. Stainless steel outer shells and feet. Height from the work surface adjustable from 840 to 900mm. Tops with 2 mm thickness

## TECHNICAL SPECIFICATIONS

- Cooking plate lowered from the top by 40 mm.
- Cooking plates made with a satin-finished surface and coated with soft iron or polished hard chrome, all available in smooth, mixed or ribbed versions.
- Plates inclined by 10mm towards the front of the machine.
- Large grease collection drawer.
- Dimensions: 40, 60, 80,
- Heating by means of armoured incoloy heating elements.
- Thermostatically controlled and adjustable baking temperature from 110 to 280°C.
- Safety thermostat.

- Floodable gutter for collecting cooking residues around the perimeter of the cooking plate easier cleaning and better retention

- of moisture in cooking food
- Large fat collection drawer with capacity of the entire volume of the perimeter channel
- Grooved plate design ensures cleanliness right to the end of the plate
- Plate not welded to the machine bed with optimisation of structural points under thermal stress
- Plate not welded to the machine bed with optimisation of structural points under thermal stress
- Thermal cutting that facilitates the user and adjacent machinery.
- Uniform cooking temperature across the entire plate. Optimising heat in the cooking area and increasing operator comfort in the kitchen.
- Water dispenser kit available as an accessory

# FRY TOP S Electric M60 Chrome Plate - Smooth - On thermostat compartment

CODICE  
CR1652349T

MODELLO  
DT93/10SFTEC

SERIE  
DIAMANTE 90 TOUCH

## Technical Information

SPECIFICATION	DATA
<b>MATERIAL</b>	<b>CR1652349T</b>
DEFINITION	DT93/10SFTEC-T FTE LISCIO CROM. M60 A/G
<b>COMMERCIAL LINE</b>	<b>DIAMANTE</b>
SUPPLY	ELECTRICS
<b>DIM. WIDTH</b>	<b>600 mm</b>
DIM. PRODUCTIVITY	900 mm
<b>DIM. HEIGHT</b>	<b>870 mm</b>
NET WEIGHT	22 Kg
<b>VOLUME (net)</b>	<b>0.47</b>
PACKAGE LENGTH	640 mm
<b>PACKAGE WIDTH</b>	<b>890 mm</b>
PACKAGING HEIGHT	1230 mm
<b>PACKAGE VOLUME</b>	<b>0,702 m3</b>
GROSS PACKING WEIGHT	29 Kg
<b>STANDARD POWER SUPPLY</b>	<b>380-415V 3N</b>
FREQUENCY	50-60 Hz
<b>ELECTRICAL POWER</b>	<b>7.5 kW</b>
IP GRADE	IPX5
<b>CERTIFIED MODEL</b>	<b>D93/10SFTEC</b>

FRY TOP S Electric M60 Chrome Plate - Smooth -  
On thermostat compartment



weinnovate cooking

CODICE  
CR1652349T

MODELLO  
DT93/10SFTEC

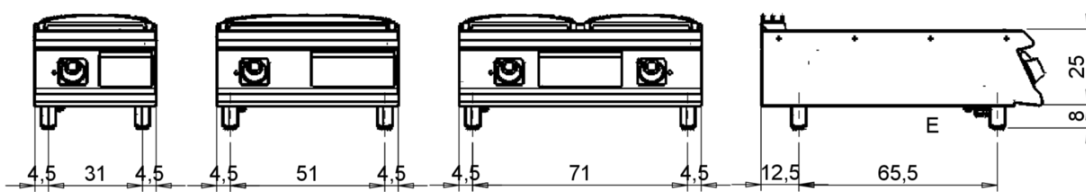
SERIE  
DIAMANTE 90 TOUCH

MISURE IN cm - DIMENSIONS IN cm - ABMESSUNGEN IN cm- MESURES EN cm  
MEDIDAS EN cm - MATEN IN cm - DIMENSIONES EN cm

D92/10STFTE..

D93/10STFTE..

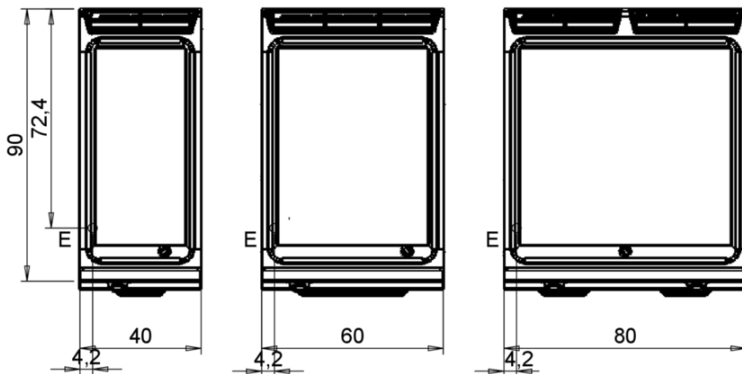
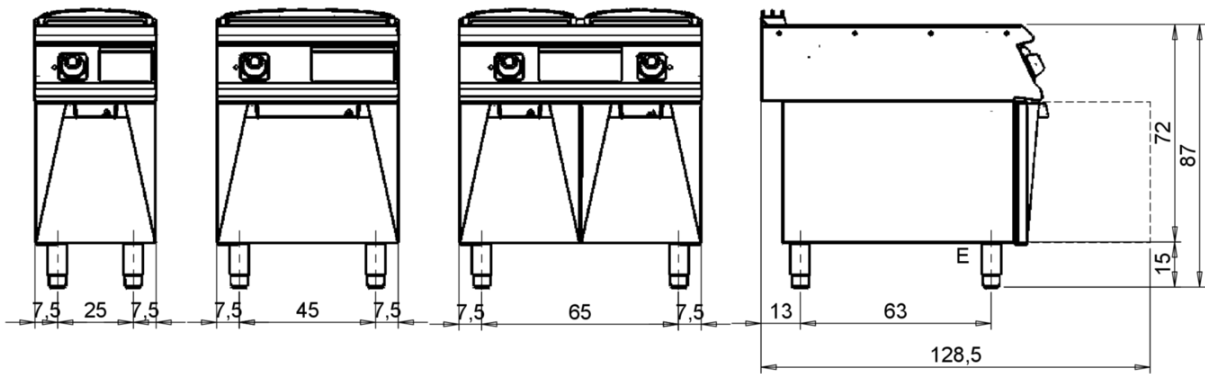
D94/10STFTE..



D92/10SFTE..

D93/10SFTE..

D94/10SFTE..



Legenda - Legende - Key - Légende - Leyenda - Legenda - Legenda

<b>E</b> Pressacavo entrata linea elettrica - Stopfbuchse - Electric cable stress relief - Presse étoupe de câble él - Pisacable - Elektrische kabelwartel - Entrada cabo eléctrico	<b>G</b> Arrivo gas - Gasanschluss - Gas connection - Arrivée gaz - Union de gas - Gasaansluiting - Ligação gás
<b>S</b> Attacco scarico acqua - Wasserablauf - Water outlet - Vidange de l'eau - Desaguadero - Wateraftapaansluiting - Junção descarga água	<b>H20</b> Arrivo acqua - Wasseranschluss - Water inlet - Arrivée eau - Union de água - Wateraansluiting - Junção alimentação água
<b>S1</b> Scarico vasca - Wannenabflussrohr - Pan outlet - Vidange du bac - Descarga cuba - Water toevoer - Descarga da cuba	<b>A1 =</b> Calda - Heiss - Warm - Chaud - Caliente - Warm - Morno <b>A2 =</b> Fredda - Kalt - Cold - Froid - Fria - Koude - Frio
<b>S2</b> Valvola di depressione - Anti-depression valve - Unterdruck ventil - Soupape de dépression - Válvula de depésión - Onderdrukklep - Válvula de depressão	
<b>S3</b> Scarico acqua intercapedine - Wasserablauf Zwischenraum - Jacket water drain Evacuation eau double envelope - Descarga de agua intersticios - Afvoer water tussenuimte - Descarga de água na marmita com Sistema de aquecimento indirecto	
<b>S4</b> Scarico - Abflussrohr - Drain - Tuyau d'évacuation - Tubo de drenaje - Aftapbuis - Tubulação de dreno	<b>L</b> Rubinetto di livello - Level tap - Wasserhahn - Robinet de niveau - Grifo de nivel - Niveaakraan - Torneira de nível

# FRY TOP S Electric M60 Chrome Plate - Smooth - On thermostat compartment

CODICE  
CR1652349T

MODELLO  
DT93/10SFTEC

SERIE  
DIAMANTE 90 TOUCH



Floodable gutter for collecting cooking residues around the perimeter of the cooking plate easier cleaning and better retention of moisture in cooking food

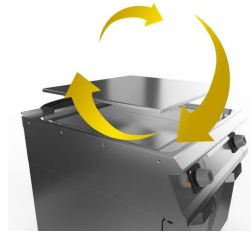


Plate not welded to the machine bed with optimisation of structural points under thermal stress



Floodable gutter for collecting cooking residues around the perimeter of the cooking plate easier cleaning and better retention of moisture in cooking food

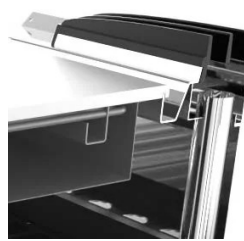
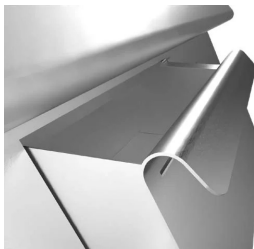
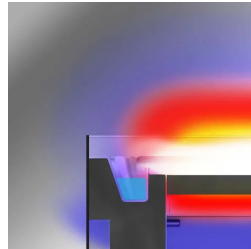


Plate not welded to the machine bed with optimisation of structural points under thermal stress



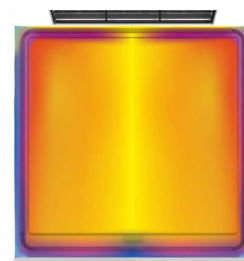
Large fat collection drawer with capacity of the entire volume of the perimeter channel



Thermal cutting that facilitates the user and adjacent machinery.



Grooved plate design ensures cleanliness right to the end of the plate



Uniform cooking temperature across the entire plate. Optimising heat in the cooking area and increasing operator comfort in the kitchen.

# FRY TOP S Electric M60 Chrome Plate - Smooth - On thermostat compartment

CODICE  
CR1652349T

MODELLO  
DT93/10SFTEC

SERIE  
DIAMANTE 90 TOUCH

## ACCESSORIES

CODE	MODELLO	DESCRIZIONE
CR1354989	PRPC	Smooth plate cleaning scraper - chrome-plated
CR1356399	RPR	Striped chrome plate scraper
CR1658629	D97CPFT68	Fry top cleaning drawer M60 - M80
CR1658609	97TFT	Plancha cleaning cap
CR1354999	PKLR	Replacement blades (10PCS)
CR1658679	9AFT6	SPLASH GUARD FOR FRY TOP MODULE 600
CR1658709	D7968CAFT	WATER LOADING FOR FRY TOP M60 M80 - D70 D90 - GAS OR ELECTRIC
CR1658789	D96EKSCFT	CONTINUOUS DISCHARGE FOR FRY TOP M60 - D90 - ELECTRIC
CR1658819	D96ECSCFT	LOAD + SCAR.CONTINUOUS FOR FRY TOP M60 - D90 - ELECTRIC